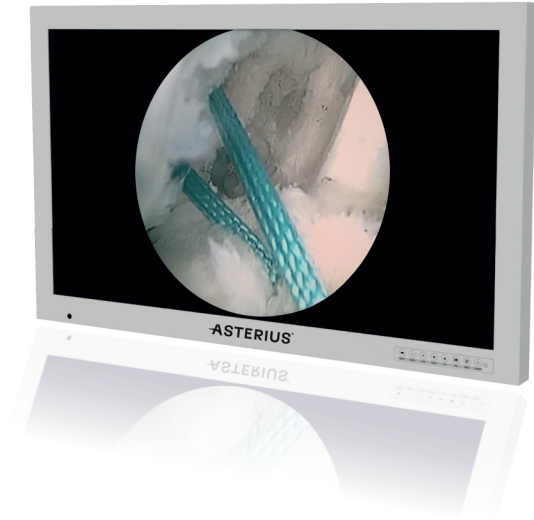
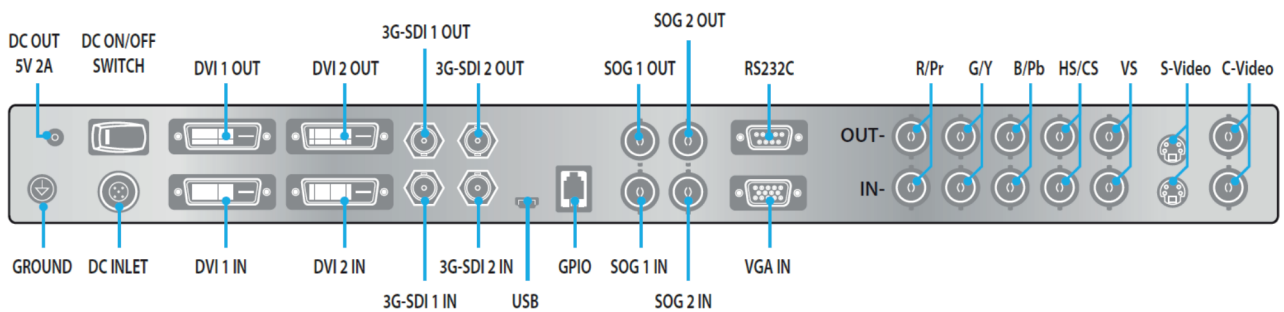


HD-MONITOR



Large medical monitors 32" specifically designed for Arthroscopic surgeries. Featuring a high-quality LED backlight display to ensure accurate color representation of the operating area. Both digital and analog outputs offer flexibility in displaying video at various HD resolutions.



Code	Description
897-30-AX	Medical Monitor 32"; LED FHD

Technical Data

Panel	32 inch TFT LCD (LED)	
Resolution	1920 x 1080 pixel	
Aspect Ratio	16 : 9	
Active Area	698.4(H)mm x 392.9(v)mm	
Pixel Pitch	0.36375 x 0.36375	
Response Time (typical)	25 ms (gray to gray)	
Number of Colors	16.7 Millions	
Brightness (typical)	450 cd/m ²	
Contrast Ratio (typical)	1300 : 1	
Surface Treatment	Anti-glare	
Viewing Angle (CR>10)	R/L 178°, U/D 178°	
Input/Output Signal	Input Signal: - 2 x DVI-D - 2 x SD/HD/3G-SDI (BNC) - 2 x SOG - 1 x VGA (D-sub) - 1 x C-Video (BNC) - 1 x S-Video (DIN) - 1 x Component (RGBS, YPbPr) (5 x BNC)	Output Signal: - 2 x DVI-D - 2 x SD/HD/3G-SDI (BNC) - 2 SOG - 1 x C-Video (BNC) - 1 x S-Video (DIN) - 1 x Component (RGBS, YPbPr) (5 x BNC)
Power Supply	AC/DC Adaptor (AC 100-240V~,DC 24V 6.25A)	
Power Consumption	75W max.	
Accessories Included	User Manual, AC-DC adaptor, AC power cord, DVI-D cable, BNC cable, Remote Control, Screw BH M4 x 14	
Unit Dimension	770(W) x 471.5(H) x 80.5(D) mm 30.31(W) x 18.56(H) x 3.17(D) inch	
Package Dimension	911.35(W) x 742.95(H) x 234.95(D) mm 35.88(W) x 29.25(H) x 9.25(D) inch	
IP Code	IP 30 - overall, IP31 - front side only	
IK code	IK05 with 5H AR glass	
Weight	13.18 kg, 29.06 lbs. (monitor with cover) 19.14 kg, 42.2 lbs. (Shipping package)	