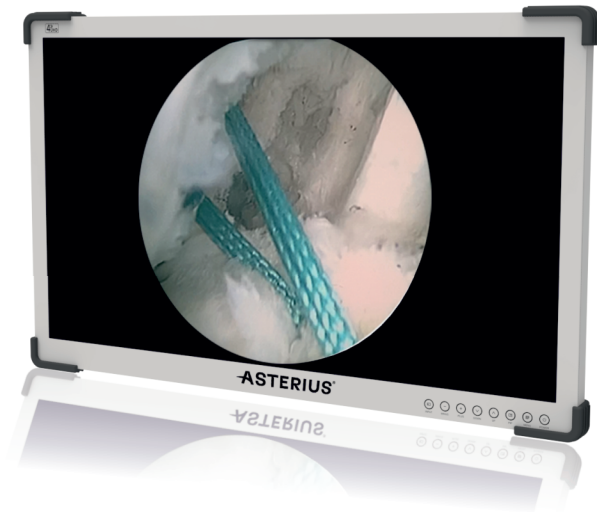
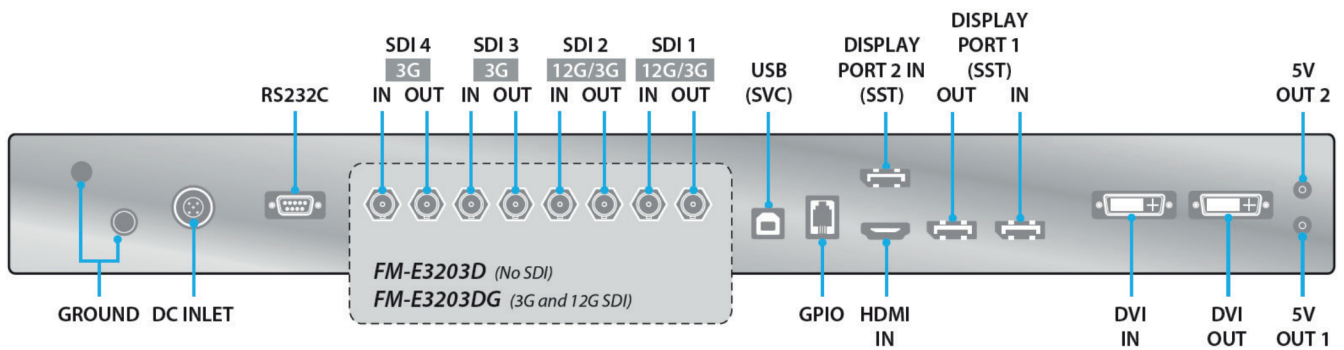


## 4K MONITOR



Large medical monitors 32" specifically designed for Arthroscopic surgeries. Featuring a high-quality LED backlight display to ensure accurate color representation of the operating area. Both digital and analog outputs offer flexibility in displaying video at various resolutions, including 4K.



Code	Description
897-31-AX	Medical Monitor 32"; UHD; 4K NOB, 700cd/m <sup>2</sup> ; HDMI2.0; DP1.2 x 2; DVI x 1; 16:9 3840 x 2160 pixel

## Technical Data

<b>Panel</b>	32 inch TFT LCD (LED)	
<b>Resolution</b>	3840 x 2160 pixel	
<b>Aspect Ratio</b>	16 : 9	
<b>Active Area</b>	708.48(H)mm x 398.82(v)mm	
<b>Pixel Pitch</b>	0.1845 x 0.1845	
<b>Response Time (typical)</b>	8 ms (rise time)	
<b>Number of Colors</b>	1.07 Billion	
<b>Brightness (typical)</b>	700 cd/m <sup>2</sup>	
<b>Calculated Gamut</b>	BT.709 and BT.2020 compatible	
<b>Contrast Ratio (typical)</b>	1350 : 1	
<b>Surface Treatment</b>	Anti-glare	
<b>Viewing Angle (CR&gt;10)</b>	R/L 178°, U/D 178°	
<b>Input/Output Signal</b>	Input Signal: - 1 x HDMI 2.0 - 2 x DP 1.2 (SST) - DVI (single link) - 4 x SDI (3G), 2 x SDI (depends on Version)	Output Signal: - 1 x DP 1.2 (SST) - 1x DVI (single link) - 4 x SDI 83G), 2 x SDI (12G) (depends on Version)
<b>Power Supply</b>	AC/DC Adaptor (AC 100-240V~,DC 24V 6.25A)	
<b>Power Consumption</b>	897-31 (FM-E3203D) 105W max.	
<b>Accessories Included</b>	User Manual, AC-DC adaptor, AC power cord, DP cable, HDMI cable, DVI-D cable, BNC cable (SDI models), Screw BH M4 x 14	
<b>Latency</b>	9 ms	
<b>Unit Dimension</b>	773(W) x 478(H) x 75.2(D) mm 30.43(W) x 18.82(H) x 2.96(D) inch	
<b>Package Dimension</b>	914.4(W) x 749.3(H) x 234.95(D) mm 36(W) x 295(H) x 9.25(D) inch	
<b>IP Code</b>	IP 33 - overall, IP44 - front side only	
<b>IK code</b>	IK07 with 5H AR glass	
<b>Weight</b>	11.56 kg, 25.49 lbs. (monitor with cover) 16.83 kg 37.10lbs. (Shipping package)	