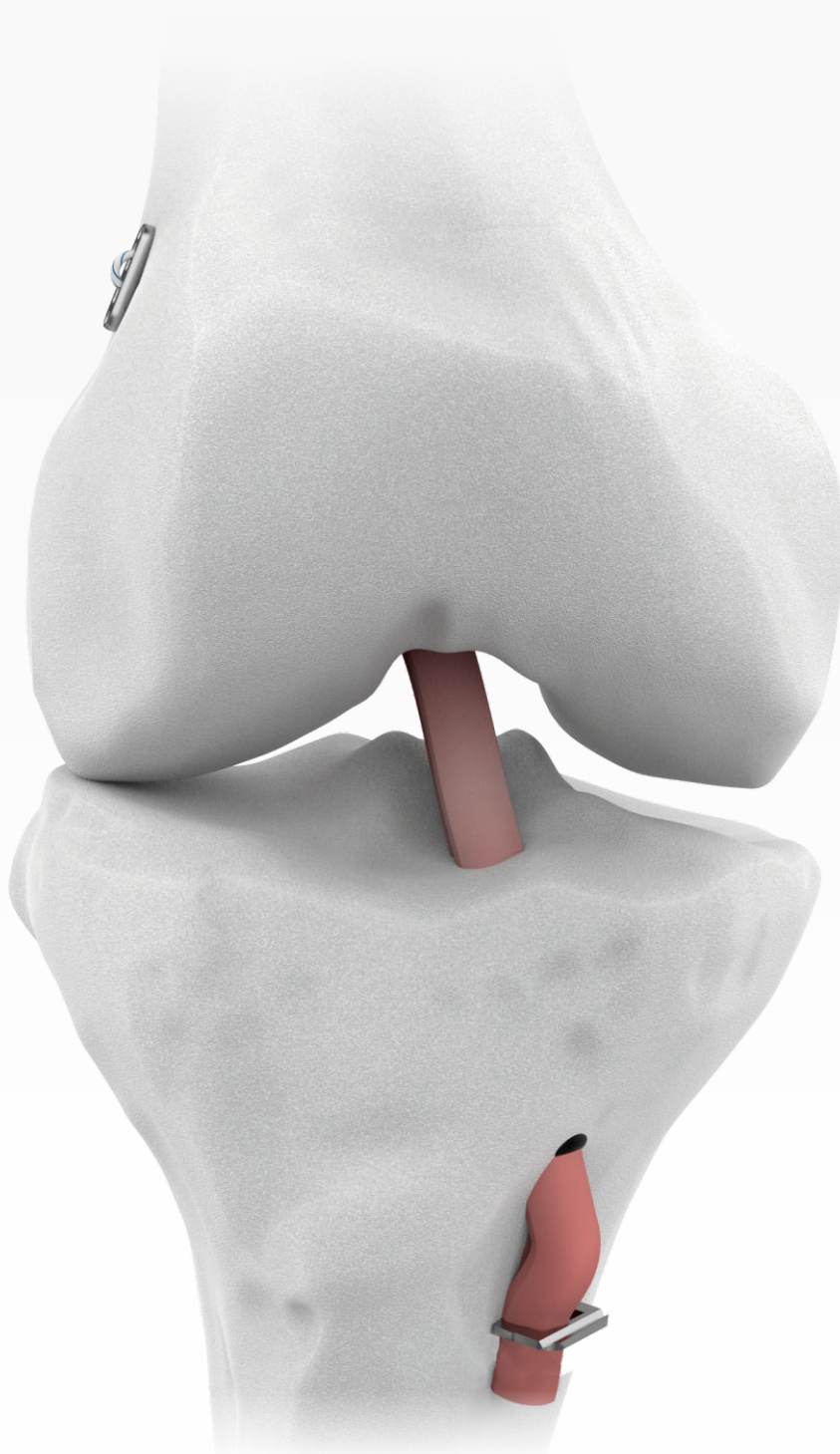


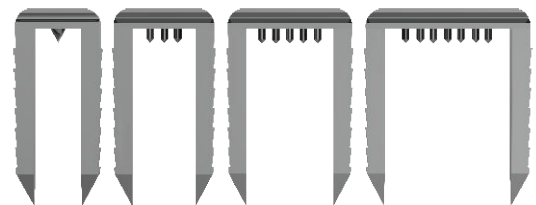
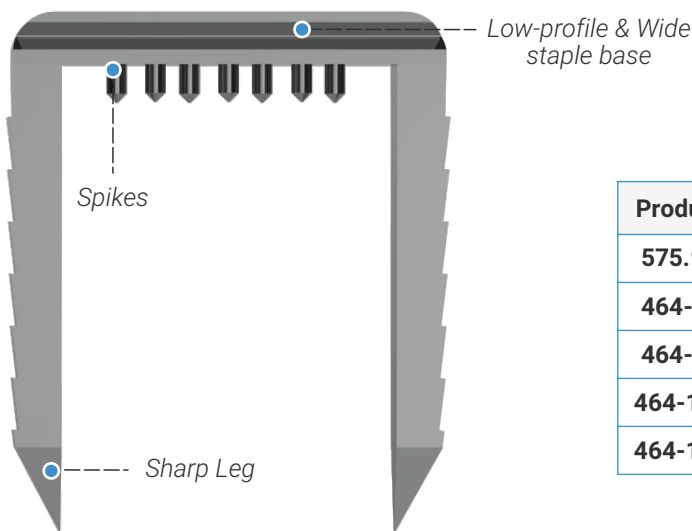
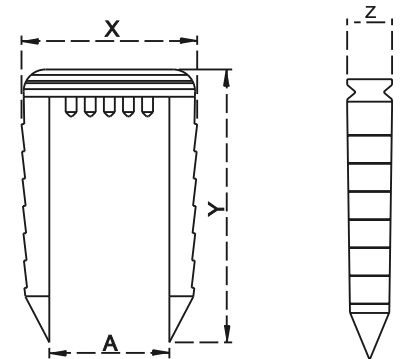
Surgical Technique

Ligament Staple For ACL Reconstruction



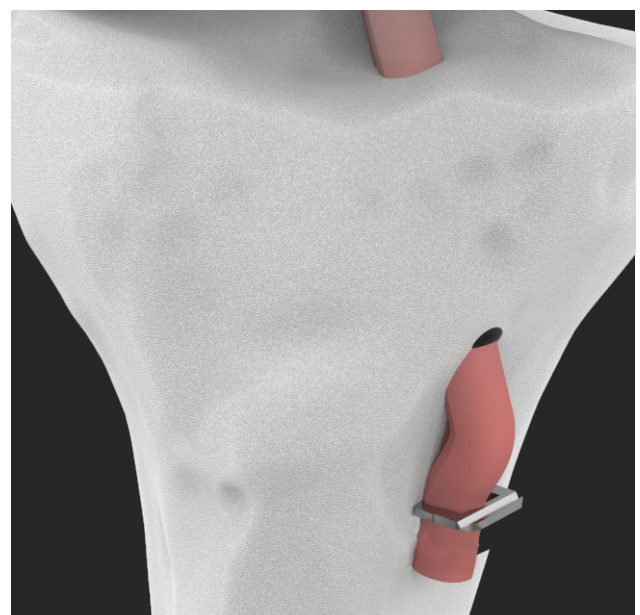
LIGAMENT STAPLE

The Ligament staple is made up of titanium alloy. It can be used for attaching soft tissue to the bone. Low-profile, wide staple base provides better load distribution while impacting. Spike-post leg design encourages uninterrupted vascular flow to the underlying tissue. Sharp leg points for easier penetration into cortical bone. The ligament staples are available in different sizes. The staple impactor is provided in the instrument set for the staple holding and easier staple insertion into the bone.



Product Code	A	X	Y	Z
575.9.24.31	9n n	24n n	31n n	4/8n n
464-6-11-25	6mm	11mm	25mm	3.7mm
464-8-13-25	9n n	13mm	25mm	3.7mm
464-11-16-25	22n n	16mm	25mm	3.7mm
464-16-21-25	27n n	21mm	25mm	3.7mm

- The Ligament staples are intended for the fixation of autograft, allograft and prosthetic components.
- Extra-flat bridge (1.8mm thickness), rounded edges and without protruding angle.
- They are designed with anti-back-out serrations with sharp bevelled points to prevent dislodging, depending on the reference.
- The staple driver securely holds the staple during insertion.



USA

Auxein Inc.

1500 Nw 89th Court, Suite 107-108
Doral, Florida 33172
Tel: +1 305 395 6062
E Fax: +1 305 395 6262
Email: USoffice@auxein.com

MEXICO

Auxein México, S.A. de C.V.

Tepic 139 int 801, Colonia Roma Sur,
Alcaldía Cuauhtémoc, CDMX,
México, C.P. 06760
Tel: +521 55 7261 0318
Email: info@auxein.mx

INDIA

Auxein Medical Pvt. Ltd.

Plot No. 168-169-170, Phase-4,
Kundli Industrial Area,
HSIIDC, Sector-57, Sonapat - 131028, Haryana
Tel: +91 99106 43638 | Fax: +91 86077 70197
Email: info@auxein.com